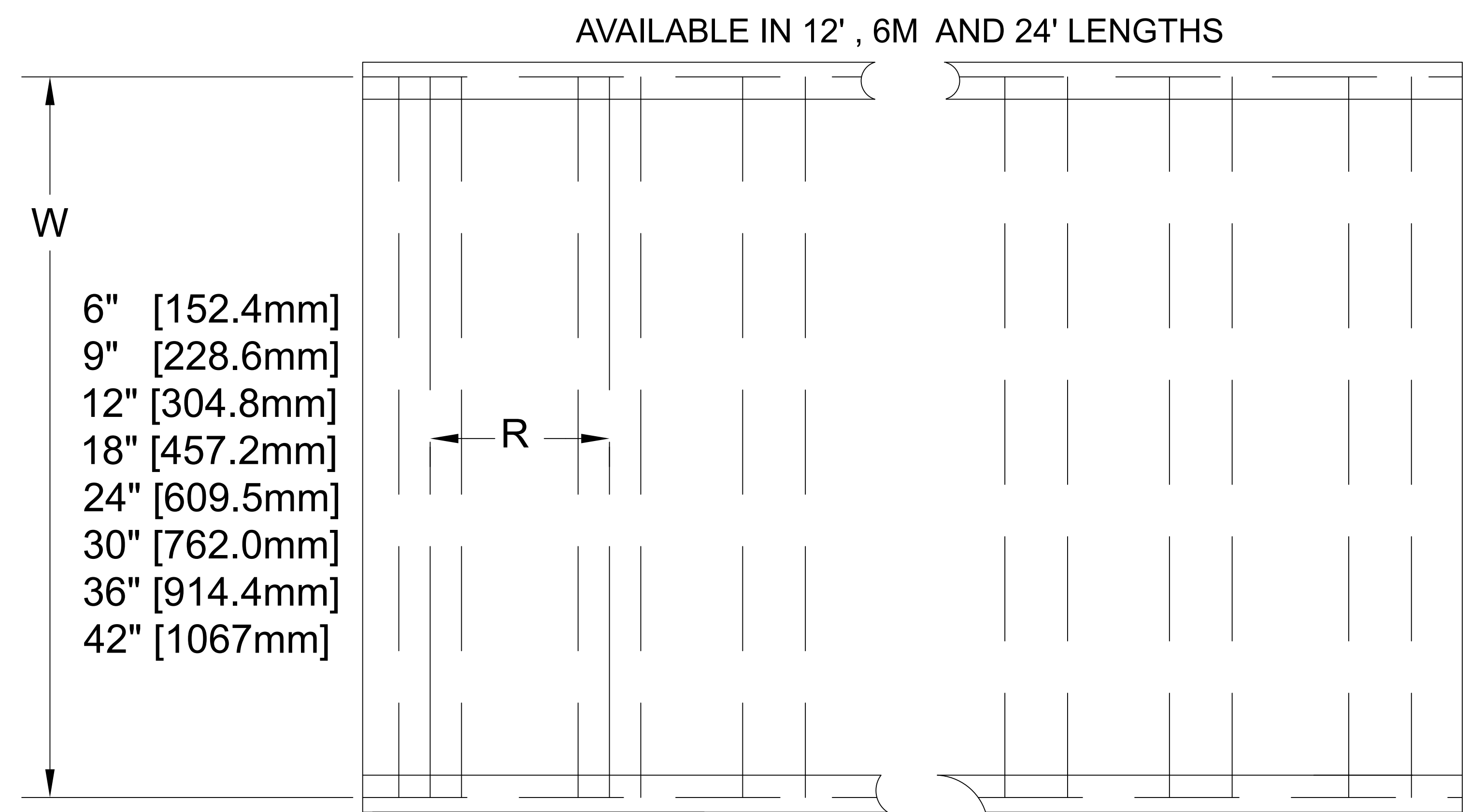
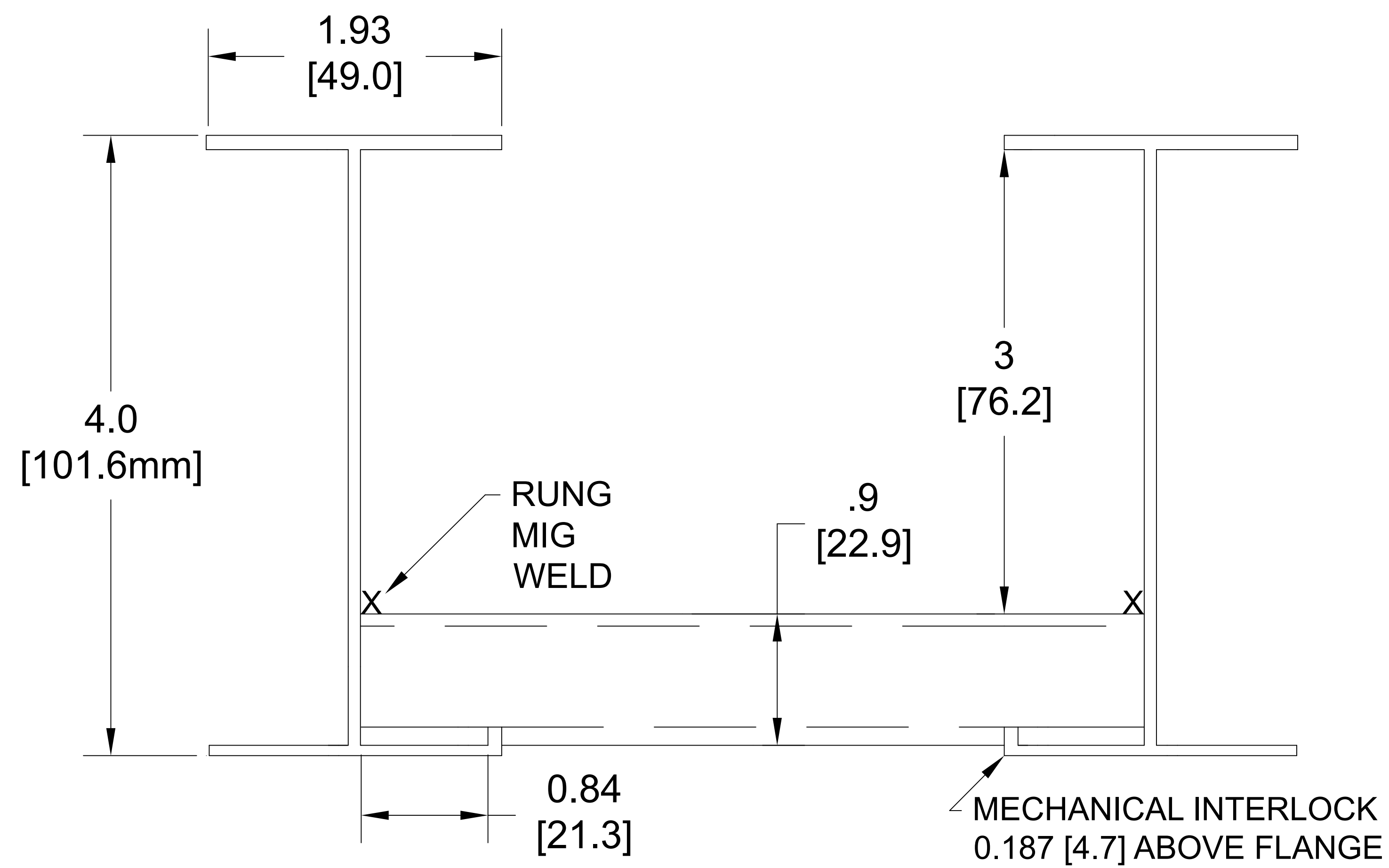
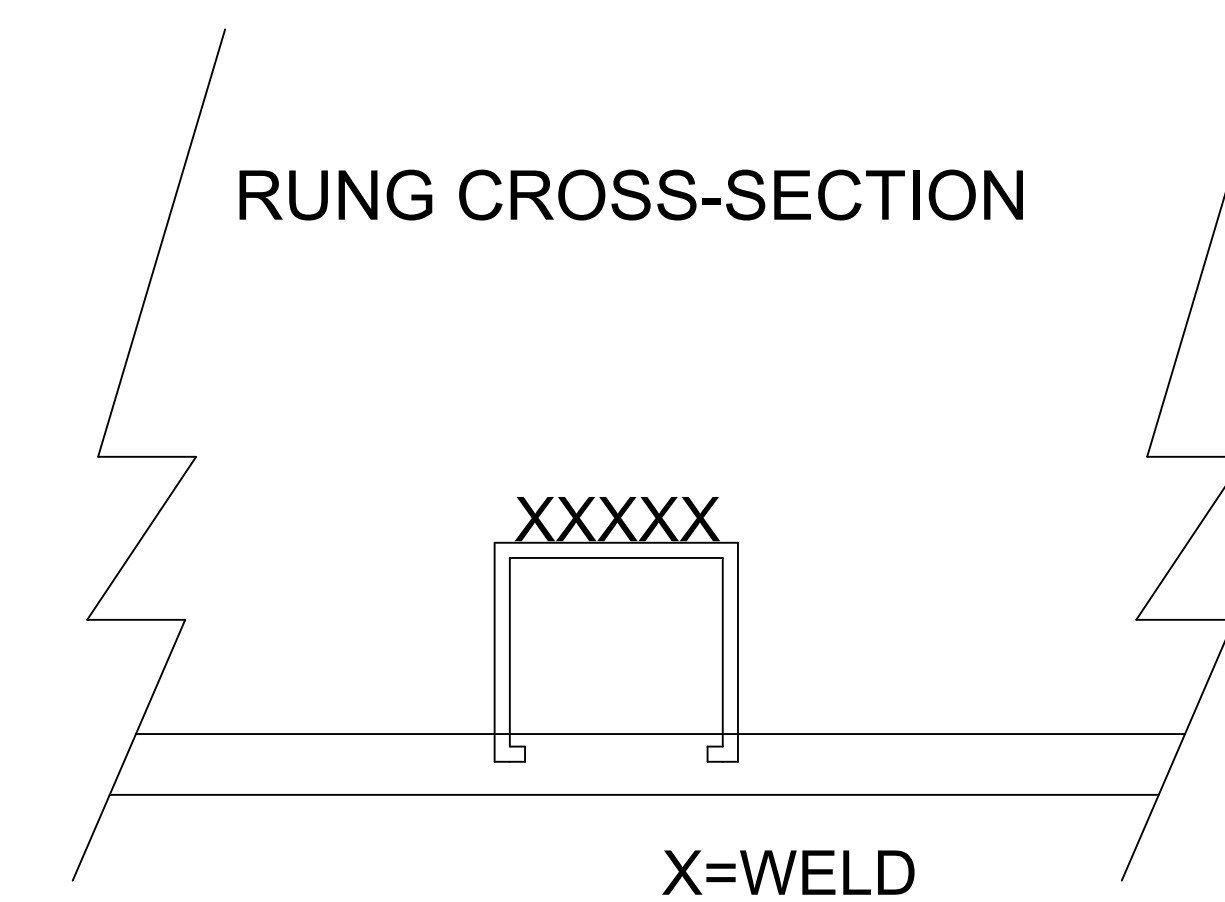


# 2A ALUMINUM CABLE TRAY--NEMA 16A, 12C CSA C<sub>1</sub> @ 3m



- 6" [152.4mm]
- 9" [228.6mm]
- 12" [304.8mm]
- 18" [457.2mm]
- 24" [609.5mm]
- 30" [762.0mm]
- 36" [914.4mm]
- 42" [1067mm]

- R=6" [152.4mm] RUNG SPACING
- R=9" [228.6mm] RUNG SPACING
- R=12" [304.8mm] RUNG SPACING
- R=18" [457.2mm] RUNG SPACING



Data (2 Rails)

$I_x = 2.95 \text{ in.}^4$      $S_x = 1.41 \text{ in.}^3$      $UL \text{ AREA} = 1.14 \text{ in.}^2$      $EGC = 1200 \text{ AMPS}$

Allowable Loads - Simple Beam Loads Data - ( Factor of safety - 1.5 )

Span	feet	6	8	10	12	14	16
	meters	1.83	2.44	3.05	3.66	4.27	4.88
Load	lbs/ft	425	243	153	108	79	60
	kg/m	632.4	361.6	227.7	160.7	117.6	89.3
Deflect.	in.	0.420	0.747	1.167	1.840	2.287	2.988
	mm.	10.7	18.9	29.6	46.7	58.1	75.9
**	K-factor	.0010	.0031	.0076	.0165	.0292	.0410

- #11170 Rung (.875" W X .9" H) Used from 6" to 18" width
- #11174 Rung (1.0" W x .9" H) used at 24" W thru 36" widths
- #11118 Rung (1.625" W x .9" H) used at 12" & 18" RS for 30 & 36" width's

Notes: 1. Sheet Metal tolerances    2. Unless noted all dimensions are in inches

\*\* K x W may be used to calculate deflection of lighter loads at indicated space above

Furnished with 4 Hole Splice Plate ( pair) and 8, 9 TBN302 3/8" Round head serrated neck stainless bolt & integral lock washer nut assemblies.

**Material**  
**ALUM ALLOY**  
**6063-T6**

This drawing and specifications are the property of Chalfant Inc. and shall not be used for the basis of mfg. or sale or quotation of illustrated product without permission.

**Chalfant Brunswick, OH**    Tel. 330-273-3510  
Fax 330-273-8149

SIZE	FSCM NO.	DWG NO.	REV
<b>A</b>		<b>2A "W" 010-"R"</b>	
SCALE	SHEET		