

Wall and support bracket AW 15

Light-duty wall and support bracket with welded head plate.
Fastening of the bracket to the U support of width 400 mm or greater using hexagonal bolt through both sides of the support. Please insert suitable spacers.

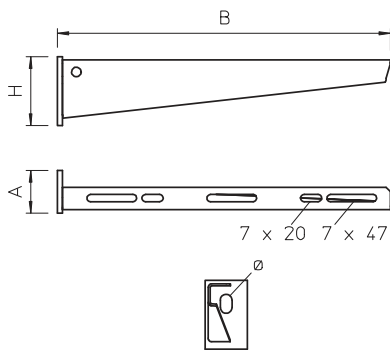


Type	Width mm	F in kN kN	Pack. pcs	Weight kg/100 pcs.	Item No.
AW 15 11 FT	110	1,5	30	14,000	6420656
AW 15 16 FT	160	1,5	30	20,000	6420664
AW 15 21 FT	210	1,5	30	26,000	6420680
AW 15 31 FT	310	1,5	30	35,000	6420710
AW 15 41 FT	410	1,5	30	55,000	6420745
AW 15 51 FT	510	1,5	20	72,000	6420788
AW 15 56 FT	560	1,5	20	77,000	6420796
AW 15 61 FT	610	1,5	20	85,000	6420826

St Steel

FT Hot-dip galvanised

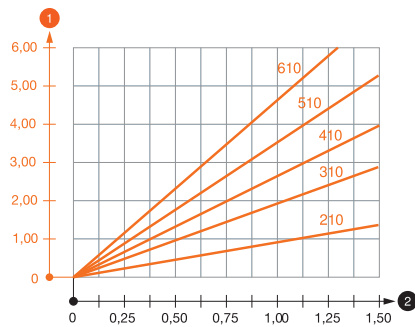
Dimensions



Type	Dimen- sion B mm	Dimen- sion A mm	Dimen- sion H mm	Hole- Ø mm
AW 15 11 FT	110	40	50	11
AW 15 16 FT	160	40	55	11
AW 15 21 FT	210	40	60	11
AW 15 31 FT	310	40	65	11
AW 15 41 FT	410	40	70	11
AW 15 51 FT	510	40	75	11
AW 15 56 FT	560	40	80	11
AW 15 61 FT	610	40	80	11

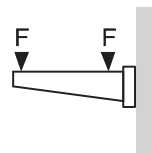
Wall and support bracket AW 15

Load



Load diagram, bracket, type AW 15

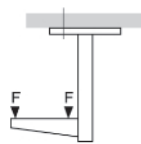
- 1 Bending of the bracket tip at permitted bracket load
- 2 Permitted bracket load in kN without man load
- Load curve with bracket lengths in mm



Characteristic anchor load values for wall bracket AW 15 - Wall fastening

Max. load F [kN]								
Bracket width [mm]	110	160	210	310	410	510	560	610
Anchor type								
BZ-U 8-10-21/75	1,1	0,9	0,8	0,65	0,55	0,5	0,45	0,45
BZ-U 10-10-30/90	1,5	1,5	1,4	1,1	0,95	0,85	0,8	0,8

Max. total load F = cable weight + cable tray + bracket. The load capacity values increase considerably when used in uncracked concrete. The values given are based on concrete of strength class C20/25. Observe the installation conditions of the DIBt approval (anchors).



Load values for AW 15 on support - Ceiling fastening

Max. total load F in kN				
Bracket length in mm	100	200	300	400
Support				
US 3 K/ 20 - 60	1,5	1,5	1,3	1,3
US 3 K/ 70 - 120	1,5	1,5	1,3	1,3
US 5 K/ 20 - 60	1,5	1,5	1,5	1,5
US 5 K/ 70 - 120	1,5	1,5	1,4	1,5

Max. total load F = cable weight + cable tray + bracket. The load capacity values increase considerably when used in uncracked concrete. The values given are based on concrete of strength class C20/25. Observe the installation conditions of the DIBt approval (anchors).

Characteristic anchor load values for wall bracket AW 15

Wall fastening		Max. load F [kN]							
		Bracket width [mm]							
Anchor type		110	160	210	310	410	510	560	610
BZ-U 8-10-21/75		1,10	0,90	0,80	0,65	0,55	0,50	0,45	0,45
BZ-U 10-10-30/90		1,50	1,50	1,40	1,10	0,95	0,85	0,80	0,80

Max. total load F = cable weight + cable tray + bracket. The load capacity values increase considerably when used in uncracked concrete. The values given are based on concrete of strength class C20/25. Observe the installation conditions of the DIBt approval (anchors).

Load values for AW 15 on suspended support

Max. total load F in kN		Bracket length in mm			
Support		100	200	300	400
US 3 K/ 20 - 60		1,50	1,50	1,30	1,30
US 3 K/ 70 - 120		1,50	1,50	1,30	1,30
US 5 K/ 20 - 60		1,50	1,50	1,50	1,50
US 5 K/ 70 - 120		1,50	1,50	1,40	1,50