

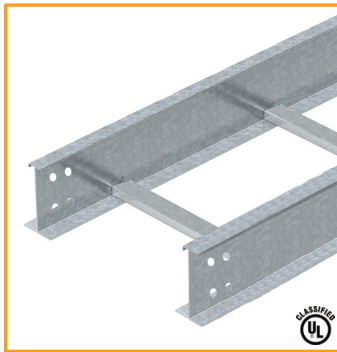
NEXT DAY TRAY



OBO Bettermann Group

Program Details

- ▷ Next Day Tray limited to the items shown in the program literature.
- ▷ Order must be marked "Next Day Tray" to qualify.
- ▷ The following maximum order quantities apply to the Next Day Tray program: 50 Piece for straight sections, 5 Horizontal Tee Fittings, 5 Horizontal Cross Fittings, 10 Horizontal Bend Fittings, 10 Vertical Bend Fittings.
- ▷ Orders over 50 straight sections ship first 50 pieces within 24-hours, balance in 5-7 days.
- ▷ Pricing is subject to change without notice.
- ▷ Orders over \$7500 ship pre-paid.
- ▷ Next Day Tray subject to availability.
- ▷ Chalfant Standard Terms and Conditions Apply.
- ▷ Contact a Chalfant sales team member for additional details.



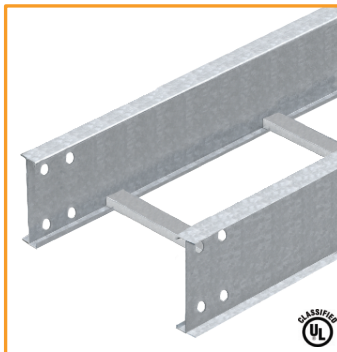
Aluminum Ladder - 2A

Part Number	NEMA Rating	Description
2A12010-09	NEMA 16A/12C	12" wide, 12' length, 9" rung spacing
2A24010-09	NEMA 16A/12C	24" wide, 12' length, 9" rung spacing

Side Height - 4" / Load Depth - 3"

NEMA Load / Span Rating - 16A/12C

**Contact a Chalfant Sales Team Member for additional details and specifications.*



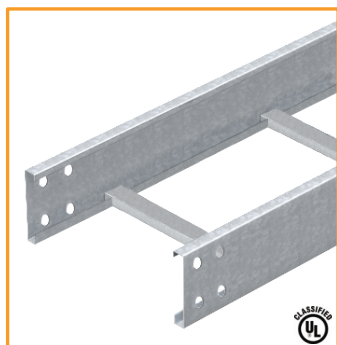
Heavy Duty Aluminum Ladder - 3A

Part Number	NEMA Rating	Description
3A12010-09	NEMA 20B/16C	12" width, 12' length, 9" rung spacing
3A24010-09	NEMA 20B/16C	24" wide, 12' length, 9" rung spacing

Side Height - 6.3" / Load Depth - 6"

NEMA Load / Span Rating - 20B/16C

**Contact a Chalfant Sales Team Member for additional details and specifications.*



Aluminum Ladder - 14A

Part Number	NEMA Rating	Description
14A12010-09	NEMA 12A/8C	12" wide, 12' length, 9" rung spacing
14A24010-09	NEMA 12A/8C	24" wide, 12' length, 9" rung spacing

Side Height - 4" / Load Depth - 3.2"

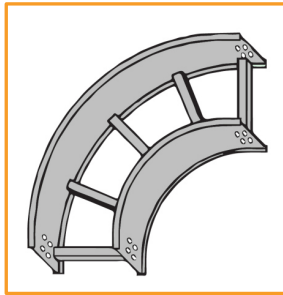
NEMA Load / Span Rating - 12A/8C

**Contact a Chalfant Sales Team Member for additional details and specifications.*

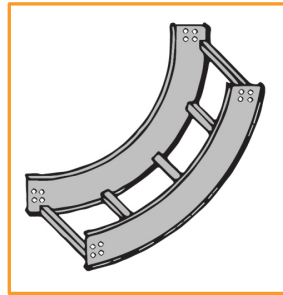
NEXT DAY TRAY



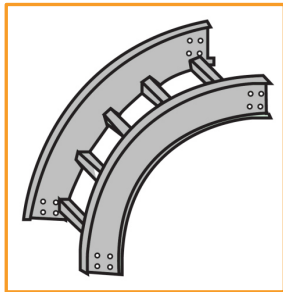
OBO Bettermann Group



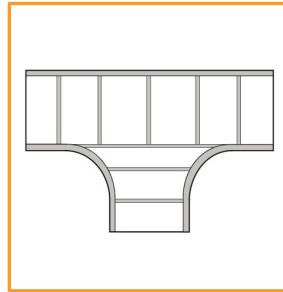
Horizontal Bend



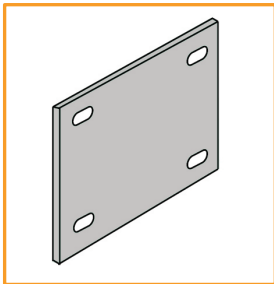
Inside Bend



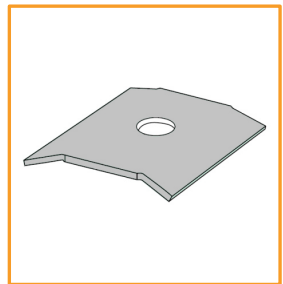
Outside Bend



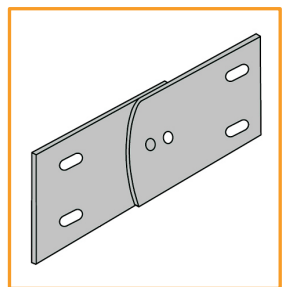
Tee Fitting



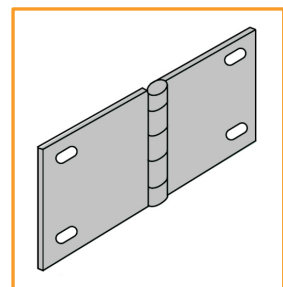
Splice Plate



Hold Down Clamp



Vertical Adjustable Splice Plate



Horizontal Adjustable Splice Plate

Fittings - 2A

Part Number	Description
2A12032	Horizontal Bend, 12" wide, 90°
2A24032	Horizontal Bend, 24" wide, 90°
2A12072	Inside Bend, 12" wide, 90°
2A24072	Inside Bend, 24" wide, 90°
2A12052	Outside Bend, 12" wide, 90°
2A24052	Outside Bend, 24" wide, 90°
2A12087	Tee Fitting, 12" wide
2A24087	Tee Fitting, 24" wide

Accessories - 2A

Part Number	Description
2ASP200	4 Bolt Splice Plate
9ABC250	Hold Down Clamp
2ASP212	Vertical Adjustable Splice Plate

Fittings - 3A

Part Number	Description
3A12032	Horizontal Bend, 12" wide, 90°
3A24032	Horizontal Bend, 24" wide, 90°
3A12072	Inside Bend, 12" wide, 90°
3A24072	Inside Bend, 24" wide, 90°
3A12052	Outside Bend, 12" wide, 90°
3A24052	Outside Bend, 24" wide, 90°
3A12087	Tee Fitting, 12" wide
3A24087	Tee Fitting, 24" wide

Accessories - 3A

Part Number	Description
3ASP200	4 Bolt Splice Plate
9ABC250	Hold Down Clamp
3ASP212	Vertical Adjustable Splice Plate

Fittings - 14A

Part Number	Part Number
14A12030	Horizontal Bend, 12" wide, 90°
14A24030	Horizontal Bend, 24" wide, 90°
14A12070	Inside Bend, 12" wide, 90°
14A24070	Inside Bend, 24" wide, 90°
14A12050	Outside Bend, 12" wide, 90°
14A24050	Outside Bend, 24" wide, 90°
14A12085	Tee Fitting, 12" wide
14A24085	Tee Fitting, 24" wide

Accessories - 14A

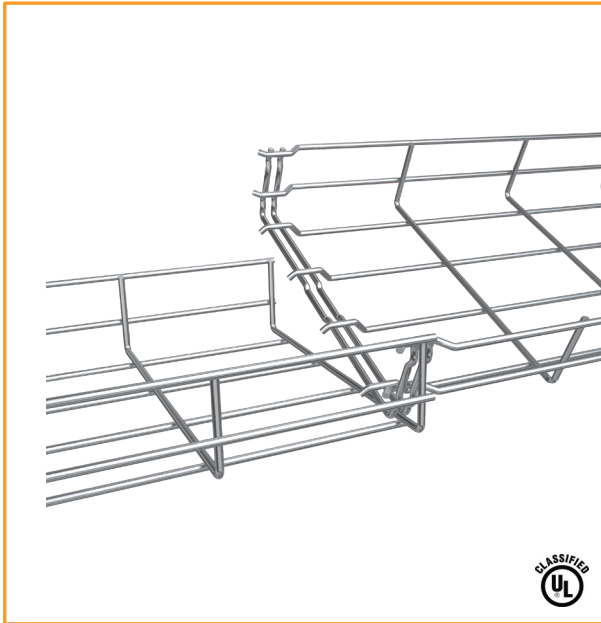
Part Number	Description
14ASP210	Horizontal Adjustable Splice Plate
14ASP212	Vertical Adjustable Splice Plate



NEXT DAY TRAY



OBO Bettermann Group



GR-Magic® Basket Tray
Electro-Galvanized Finish

GR-Magic® Basket Tray - 2"

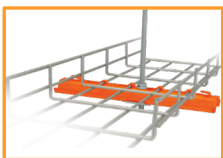
Part Number	Description
WMGR204S	GR-Magic Basket® Tray, 2" x 4" x 10'
WMGR206S	GR-Magic Basket® Tray, 2" x 6" x 10'
WMGR208S	GR-Magic Basket® Tray, 2" x 8" x 10'
WMGR212S	GR-Magic Basket® Tray, 2" x 12" x 10'

GR-Magic® Basket Tray - 4"

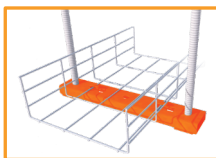
Part Number	Description
WMGR404S	GR-Magic Basket® Tray, 4" x 4" x 10'
WMGR406S	GR-Magic Basket® Tray, 4" x 6" x 10'
WMGR408S	GR-Magic Basket® Tray, 4" x 8" x 10'
WMGR412S	GR-Magic Basket® Tray, 4" x 12" x 10'
WMGR418S	GR-Magic Basket® Tray, 4" x 18" x 10'

Accessories - GR-Magic®

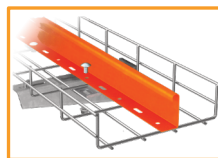
Part Number	Description
WM06263	Tab Profile Bracket, Center Hang, 6"
WM08263-3/8	Tab Profile Bracket, Center Hang, 8"
WM12263-3/8	Tab Profile Bracket, Center Hang, 12"
WM18263	Tab Profile Bracket, Center Hang, 18"
WM24263	Tab Profile Bracket, Center Hang, 24"
WM04323-3/8	Tab Profile Bracket, Trapeze Hang, 4"
WM06323	Tab Profile Bracket, Trapeze Hang, 6"
WM08323-3/8	Tab Profile Bracket, Trapeze Hang, 8"
WM12323	Tab Profile Bracket, Trapeze Hang, 12"
WM18323	Tab Profile Bracket, Trapeze Hang, 18"
WM24323	Tab Profile Bracket, Trapeze Hang, 24"
WMBS118-1S	Barrier Strip, 1"
WMBS118-2S	Barrier Strip, 2"
WMBS118-4S	Barrier Strip, 4"
WMBS118-6S	Barrier Strip, 6"
WMHDC38S	Hold Down Clamp, 3/8" diameter
WMGCLIPSM	Bonding Clamp, 2" - 6"
WMSH249S	Side Hanger, 50 pack
WMTB620S	Tee Bolt Assembly, 20 pack
WMJHM-15	Metal J Hook, 50 pack



Tab Profile Bracket
Center Hang



Tab Profile Bracket
Trapeze Hang



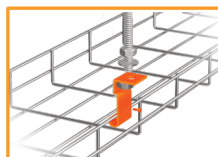
Barrier Strip



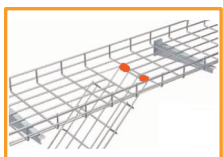
Hold Down Clamp



Bonding Clamp



Side Hanger



Tee Bolt Assembly



Metal J Hook

